

QUASER

we cut faster

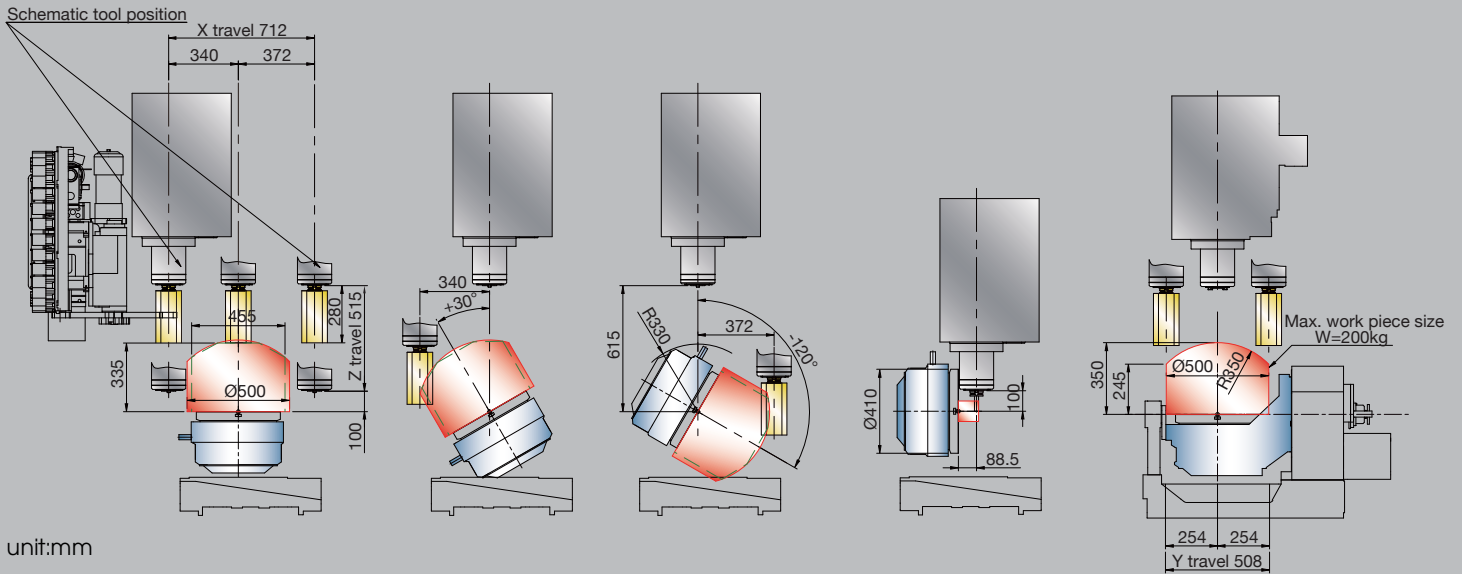
www.quaser.com



UX500

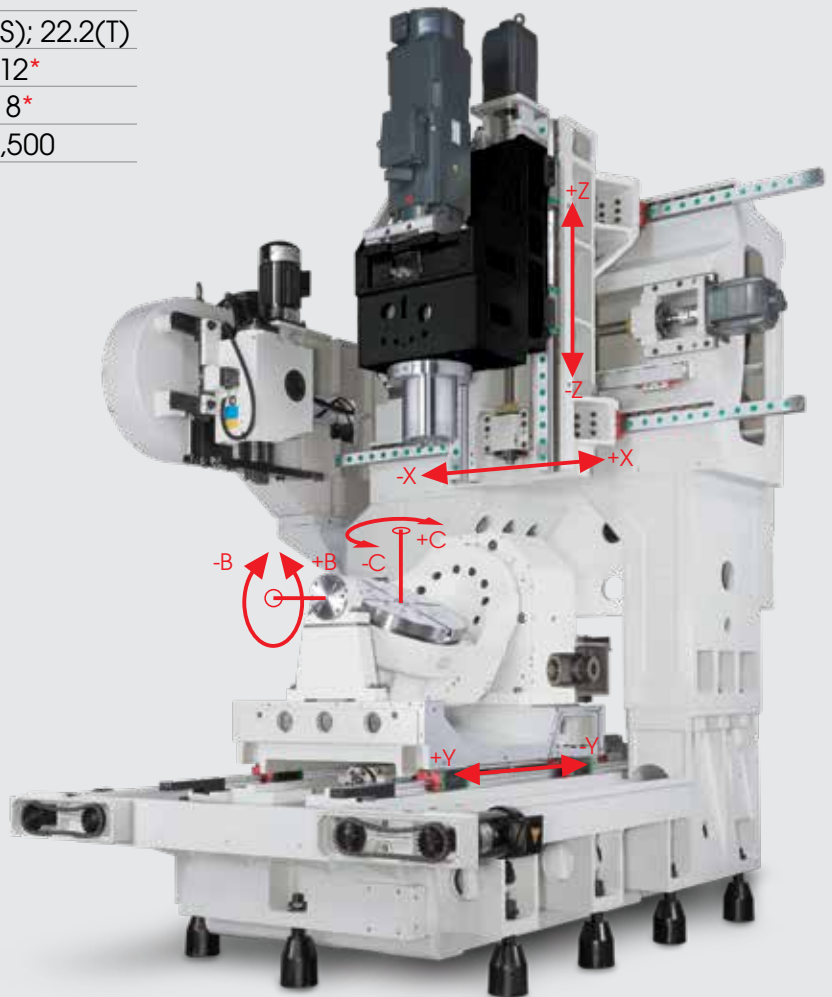
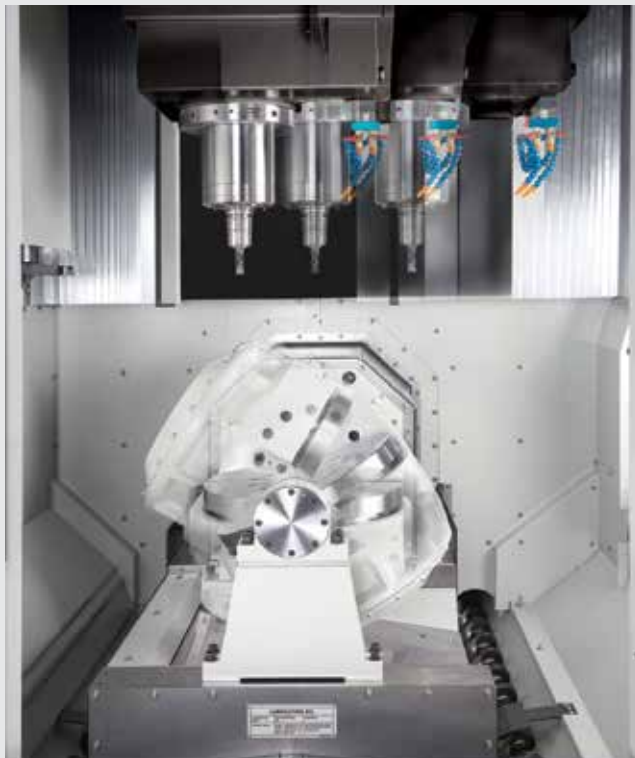
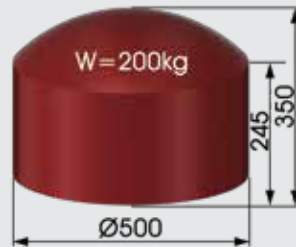
Multi Face, 5 Axes M/C

Cutting area and interference



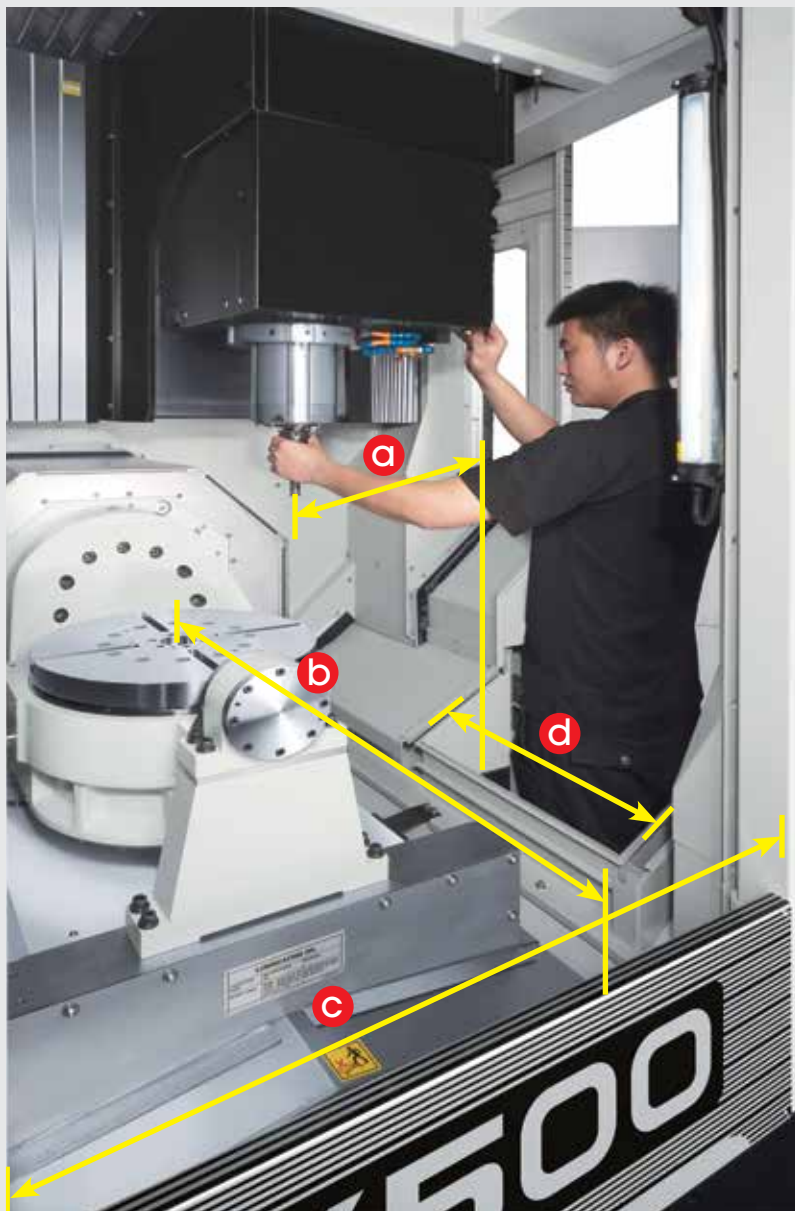
	UX500C	
	Rotary Axis (C-axis)	Tilting Axis (B-axis)
Drive method	D-D	Worm
Max. work piece size (mm)	Ø 500 x 350	
Table load capacity (kg)	200	
Maximum R.P.M (min ⁻¹)	50	16.6(F/S); 22.2(T)
Indexing accuracy (sec)	8*	12*
Repeatability (sec)	4*	8*
Clamping torque (Nm)	1,800	2,500

Note: *With rotary encoder



Ergonomic operation

UX500		
a	Spindle to side door at a convenient	295mm
b	From center of table to front door	670mm
c	Max. size when front door open	800mm
d	Side door opening	545mm
e	Swivel type operation panel	
f	Documentation & hand tool shelf	
g	Tool loading/ unloading on magazine side	
h	Centralized configuration of lubrication and pneumatic panel	



ATC system



30 ATC



48 ATC



60 ATC



120 ATC



Coolant & chip management



	UX500C
Coolant tank	450L
Coolant through spindle	Opt.
Nozzle coolant	3 bar
Wash gun	Std.
Chip augers	Std.
Wash down	3 bar

Control: (F) = FANUC (T) = HEIDENHAIN (S) = SIEMENS

● = Standard ○ = Option ✕ = N / A

Technical data	UX500	
	C	
	Multi face	5 axes
Spindle code	12C	
Work range		
Table size (mm)	Ø410	
Travel	X / Y / Z (mm)	712 / 508 / 515
	B / C (degree)	+30° ~ -120° / 360° (Continuous)
Max. swing (mm)	Ø500	
Table surface to spindle nose (mm)	100 ~ 615	
Spindle nose to tilting center at 90° (mm)	100 ~ 615	
Max. work piece size (mm)	Ø500 x 350 ⁽¹⁾	
Table load capacity (kg)	200 kg	
Feed drive		
Feed force	X / Y / Z (N)	6,283 / 6,283 / 11,519 (F) 6,283 / 6,283 / 10,472 (S) 9,268 / 9,268 / 11,310 (T)
Rapid movement	X / Y / Z (m / min) B / C (min ⁻¹)	36 / 36 / 36 B=22.2(T) 16.6(F ; S) / C=50
Acceleration	X / Y / Z (m/s ²)	3 / 3 / 2.5
Dia. & pitch of the ball screw	Ø40 / P= 12/ 12/ 12	
Accuracy Positioning / Repeatability		
ISO 230-2	0.008 / 0.004	
JIS 6338 (300 mm)	±0.003 / ±0.002	
VDI3441	0.008 / 0.004	
Main spindle		
Spindle taper	BBT40	
Max. spindle speed	12,000	
Spindle base speed	1,500	1,500
Spindle output power (kW)	F*	18.5
	T / S**	17 / 13.3
Spindle output torque (Nm)	F*	118
	T / S**	108 / 85
Spindle transmission	Coupling	
Tool changer		
Tool selection	Random	
Magazine positions	30 (std.) 48 / 60 / 120 (opt.)	
Max. tool diameter w/o adjacent tool	Ø76.2 / Ø125	
Max. tool length	280	
Max. tool weight	7 kg	
Tool to tool time (sec.)	1.7±0.2	
Chip to chip time (sec.)	9.0±0.2	
Coolant system		
Coolant tank capacity (Liter)	450L	
Pump capacity		
- Nozzle coolant	75 / min., 3 bar	
- Coolant through spindle	Opt. (25L/min.,20bar)	
- Wash down	75 L/min., 3 bar	
Machine size		
Height (mm)	3,350	
Floor space W x D (mm)	2,720 x 3,900	
Weight (kg)	8,430 (30ATC) 8,730 (48ATC)	
	8,930 (60ATC) 9,750 (120ATC)	
Connections		
Main power	220V or 380V or 400V or 415V / 50Hz or 60Hz	
Power consumption (KVA)	30(F)(T) 25(S)	

Standard / Option accessories	UX500	
	C	
	Multiface	5 axes
Spindle code	12C	
■ FANUC 0i-MF Plus (4+1 Axes)	●	✕
■ HEIDENHAIN TNC620 (4+1 Axes)	○	✕
■ HEIDENHAIN TNC640 (5 Axes)	✕	○
HEIDENHAIN advanced function set2	✕	○
■ SIEMENS 828D (PPU290)	○	✕
■ SIEMENS 840D	✕	✕
■ Oil chiller	●	●
■ 40 taper / 30 position tool magazine	●	●
■ 40 taper / 48 / 60 / 120 position tool magazine	○	○
■ Pull stud for BT tooling	○	○
■ Balance tooling for spindle warm up	○	○
■ BBT spindle attachment (Double contact)	●	●
■ ATC auto door	●	●
■ X / Y / Z linear scale	○	○
■ Rotary encoder on B & C axes	●	●
■ Remote manual pulse generator	●	●
■ Transformer ⁽¹⁾	○	○
■ Work probe receive OMI-2T	●	●
■ Work probe OMP-40	○	○
■ Tool length / breakage measurement	○	○
■ 5 Port through table	○	○
■ Reference rod (for thermal comp with probe)	●	●
■ Coolant system	●	●
■ Coolant through ball screw	○	○
■ Coolant through spindle 20 bar	○	○
■ Coolant wash gun	●	●
■ Coolant wash down	●	●
■ Air gun	○	○
■ Chip conveyor	●	●
■ Chip augers	●	●
■ Cutter air blast	●	●
■ Oil-mist collector	○	○
■ Bag filtration	○	○
■ Filtration unit	○	○
■ Documentation (USB) ⁽²⁾	●	●
■ Total Enclosure Guard (with Top side cover)	●	●
■ Work light	●	●
■ Machine status light	●	●
■ CE & EMC ⁽³⁾ / GB	○	○

Note: ⁽¹⁾ Please refer to actual max. workpiece interference diagram.

* (S3-25%) ** (S6-25%)

Note: ⁽¹⁾ Transformer as standard or option item will be varied according to control system and power supply condition.

⁽²⁾ Paper documentation is option. ⁽³⁾ As standard for EU area.

- Machine specification might be different from the catalog if any specification update.

Installation dimension

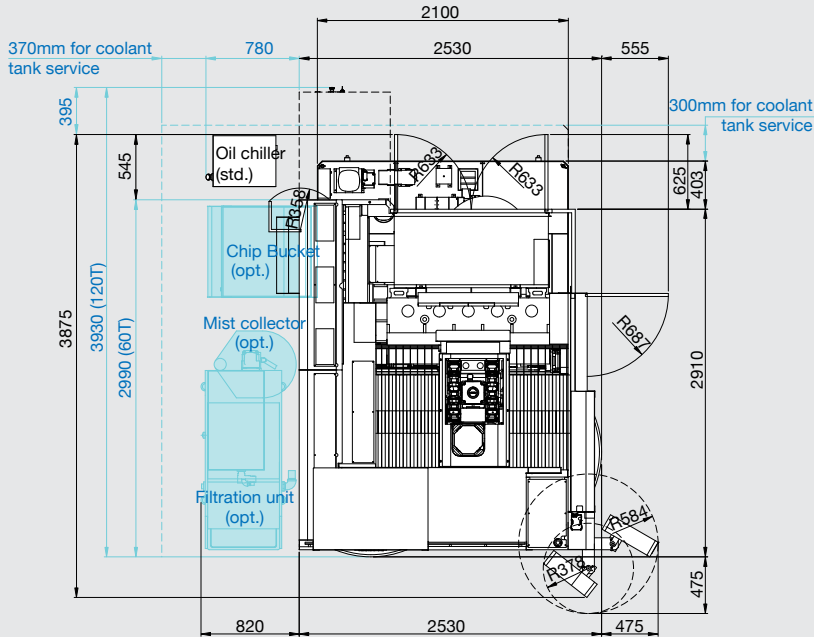
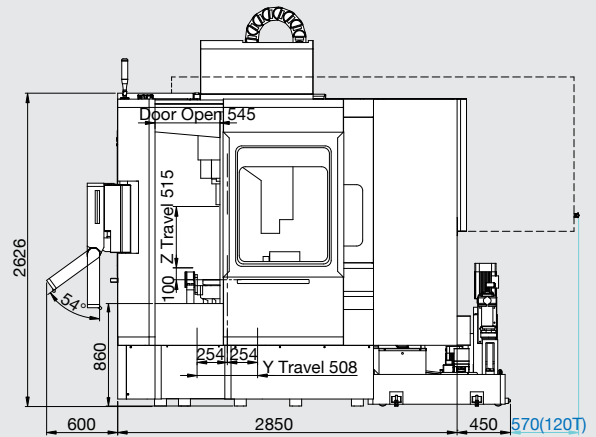
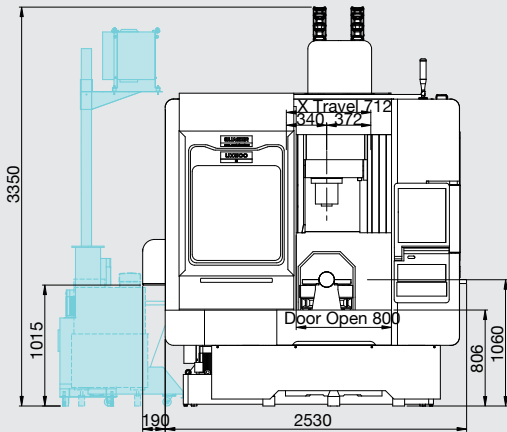
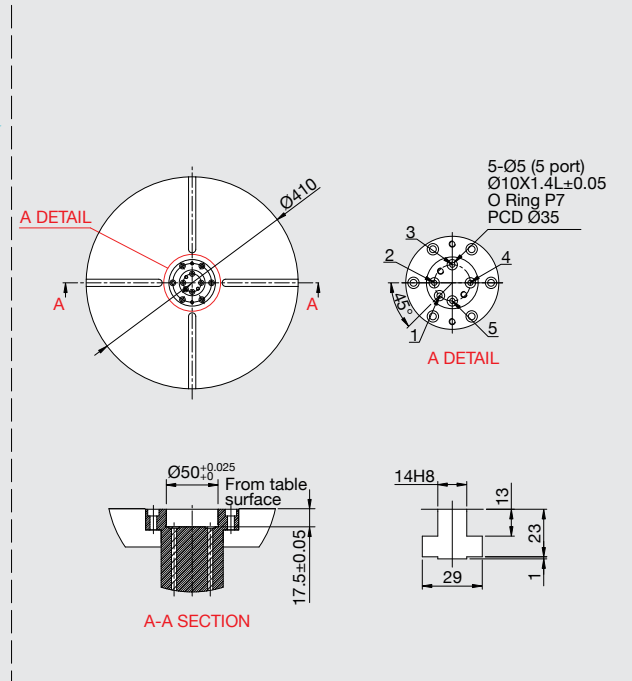


Table dimension



QUASER MACHINE TOOLS, INC.

Address: No. 3, Gong 6th Rd.,
Youshih Industrial
Park, Dajia Dist,
Taichung City 437106,
Taiwan

Tel: +886 4 26821277
Fax: +886 4 26822045
E-mail: sales@qmt.com.tw
Web: www.quaser.com

QUASER EUROPE TECHNICAL CENTER — GERMANY

Address: Carl-Zeiss-Stra ß e 22,
42579 Heiligenhaus,
Germany

Tel: +49 205 6259 6780
Fax: +49 173 5488 713
E-mail: qe@qmt.com.tw

KUNSHAN QUASER MACHINE TOOLS, INC.

Address: (B) No. 287,
Kangzhuang Road,
Zhoushi Town,
Kunshan City,
Jiangsu,P.R. China

Tel: 0512-82627139
Fax: 0512-82627138
E-mail: qmtc@qmt.com.tw

QUASER AMERICA MACHINE TOOLS INC.

Address: 3049 Southcross
Boulevard, Rock Hill,
SC, 29730, UNITED STATES

Tel: +1 803-324-7123
Fax: +1 888-459-8175
E-mail: qa@qmt.com.tw